



FST200, Wind Speed Sensor

FST Wind speed/direction sensor is based on Hail Effect. The cup turns round once be blown, THE wind speed / direction variable transfer into relative signal output, The base is made of high strength alloy and finish by surface treatment and is featured with water proof, corrosion resisting. It can be used in harsh environment.

High-performance digital circuit is built in FST Wind speed / direction Sensors. It carefully designed the working condition of RFI & EMI resistance and the surge voltage. It is featured with strong RFI & EMI resistance, wide power supply range and polarity protection, meeting ICE.CE (EMC) requirement. It can meet demands of working aloft, construction machinery, port operation, wind power generation System.

Digital Wind Speed Alarm Controller is based on the Micro-process technology, is featured with early warning & alarm, output control function. User can set the alarm value on the adjustable panel, easy to operate. Digital circuit carefully designed the working condition of RFI & EMI resistance, and the surge voltage. It has the characteristics of high reliability, high display accuracy. It mainly used with wind speed sensor for the testing of wind scale and wind speed.

- Wind Speed Sensor • Wind Direction Sensor • Wind Speed Alarm Controller



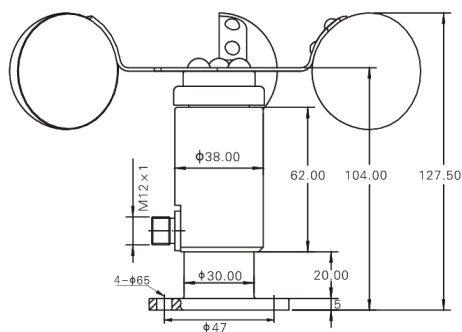
FST200-201, Wind Speed Sensor

Features

- Excellent resistance against impact, overload, shock and erosion.
- Small and exquisite, easy to take, simple to install.
- Alloy material finish, reasonable structure design and nice outlook quality.
- Stainless steel Wind cup, anti-wind load can reach 70m/s.

Applicable Scope

- Working aloft testing and control.
- Engineering machine testing and control.
- Weather station and environment protection testing and control.
- Port and wharf environment testing and control.
- Other industrial automation about wind speed and direction testing and control.



M12 Connector	Potential Lead	Output Signal	Serial No.	Wiring Method	
	3-Wire	Current Type	1	+Vcc	Brown
			2	+Vout	White
			3	GND	Blue
			4	PE	Black
	3-Wire	Voltage Type	1	+Vcc	Brown
			2	+Vout	White
			3	GND	Blue
			4	PE	Black
	3-Wire		1	+Vcc	Brown
			2	+Pout	White
			3	GND	Blue
			4	PE	Black

Technical Index

Model	FST200-201
Output	Pulse signal (HZ) 0-5VDC 4-20mA
Working Voltage	5VDC 24VDC 12~36VDC (common 24VDC)
Testing range	0.5m/s~50m/s
Start wind speed	≤0.5m/s
Accuracy	±0.5m/s (<5m/s), ±3%FS (≥5m/s)
Working Environment	Temperature: -20°C ~ +85°C, Humidity ≤95%RH
Limit wind speed	Max: 70m/s 30min
Electrical connection	M12
Environmental Protection	IP65



FST200-202

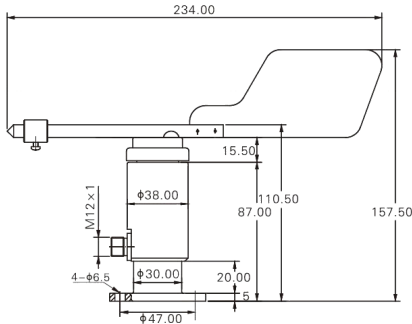
FST200-202, Wind Speed Sensor

Features

- Strong RFI & EMI resistance and automatic temperature compensation.
- High sensibility, high precision, high frequency response & permanent stability.
- Excellent resistance against impact, overload, shock and erosion.
- Small and exquisite, easy to take, simple to install.
- Alloy material, reasonable structure and nice outlook.

Applicable Scope

- Working aloft testing and control.
- Engineering machine testing and control.
- Weather station and environment protection testing and control.
- Port and wharf environment testing and control.
- Other industrial automation about wind speed & direction testing & control.



M12 Connector	Potential Lead	Output Signal	Serial No.	Wiring Method	
	3-Wire	Current Type	1	+Vcc	Brown
			2	+Vout	White
			3	GND	Blue
			4	PE	Black
	3-Wire	Voltage Type	1	+Vcc	Brown
			2	+Vout	White
			3	GND	Blue
			4	PE	Black

Technical Index

Model	FST200-202
Testing range	0~360°
Start wind speed	≤0.8m/s
Resolution	22.5°
Accuracy	±3°
Working Environment	Temperature: -20°C ~ +85°C Humidity ≤95%RH
Output	0-5VDC 4-20mA
Resistance for current output	250Ω
Working Voltage	12~30VDC (common 24VDC)
Limit wind speed	Max: 70m/s 30min
Electrical connection	M12
Environmental Protection	IP65



FST200-211

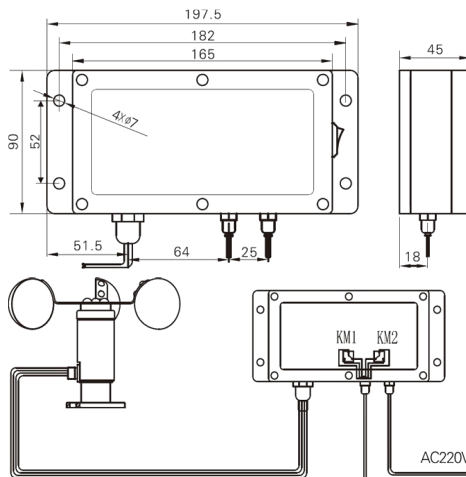
FST200-211, Wind Direction Sensor

Features

- djustable buttons on panel, easy to set in the filed.
- Protection circuit for strong anti RFI & EMI.
- Contact capacity: 1-2set Relay contact output, 10A/220VAC.
- Built- in Relay, early warning and alarm function.

Applicable Scope

- Working aloft testing and control.
- Engineering machine testing and control.
- Weather station and environment protection testing and control.
- Port and wharf environment testing and control.
- Other industrial automation about wind speed & direction testing & control.



Model	FST200-211
Wind Accuracy	±0.1m/s
Testing range	0-50m/s
Alarm control	Early warning: Yellow LED twinkle, the buzzer ring intermittently
	Alarm: Red LED twinkle, the buzzer ring continuously, Relay contact action
Working Environment	Temperature: -20°C ~ +60°C Humidity ≤80%RH
Contact capacity	1-2set Relay contact output, 10A/220VAC
Power	12VDC 24VDC 220VAC