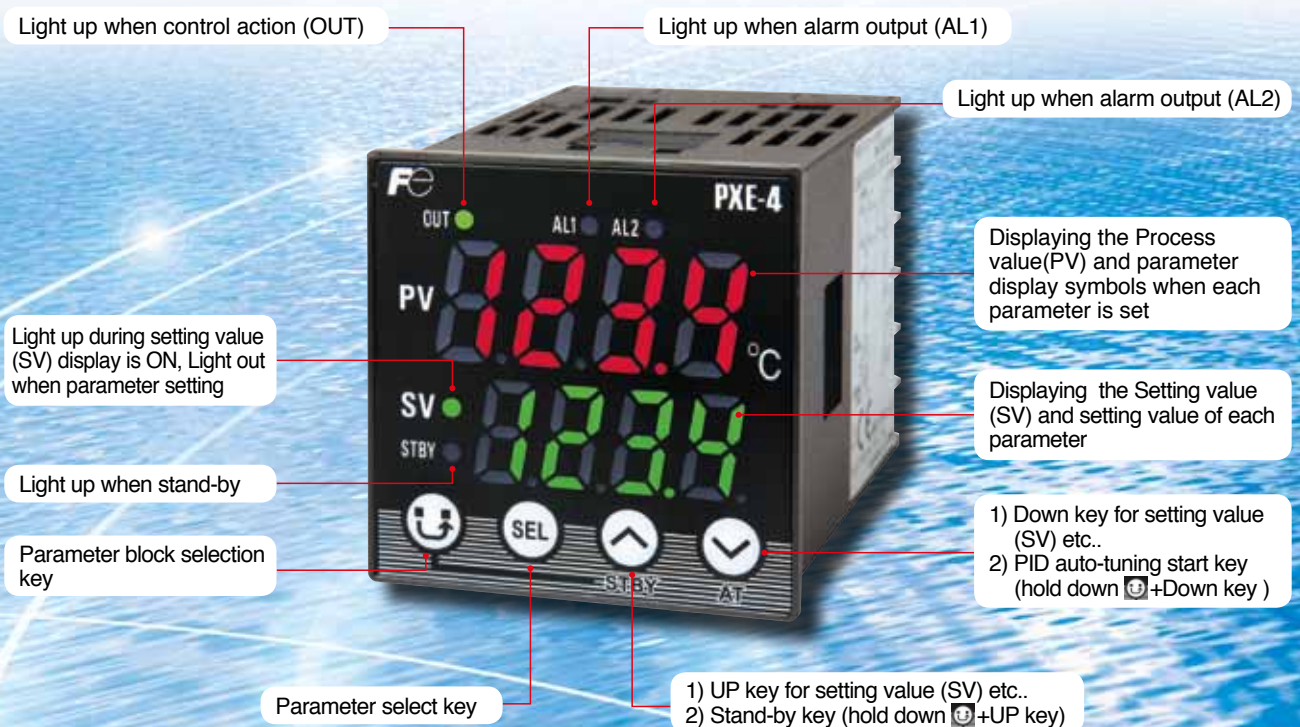


Compact Temperature controller

(size: 48 x 48) Type: PXE

Slim! Easy operation! Compact



- **Super slim type. Renewal front design (Depth of front display is 1.6mm. world's thinnest one)**
- **Short depth dimensions! 62mm**
- **Programmable setting for type of temperature input/measuring range as standard!**
Changeable setting for resistance-bulb (Pt100), thermocouple (9 types) and measuring range with front key
- **Flexible about any controlled objects!**
-ON/OFF control, PID control and Fuzzy control (auto-tuning)
-Relay contact output or SSR/SSC drive output (specified by code of symbol)
- **Alarm output 1 point or up to 2 points are provided (2 points is optional)**
- **Free PC loader software allows you to reconfigure when start-up adjustment or maintenance (under development)**
- **Front water proof structure (IP66)**

Simple and Easy Operation PXE!

Stand-by and soft-start functions are provided

Input signal 1point

Capable of changing over temperature type (resistance-bulb, 9 types of thermocouples) with front key.

Input sampling cycle 200ms



Control output 1point

Relay contact output, SSR/SSC drive output, ON/OFF control and Fuzzy control (with auto-tuning)

Alarm output

1point or 2points (2points is optional)
High, Low and High/Low alarm output (settable absolute value alarm, deviation alarm and zone alarm)

Power supply voltage (100 to 240V AC)

PXE Model Code Configuration

PXE 4 5 6 7 8 9 10 11 12 13 14
4 Y 1 Y 0 0 0 E

Digit	Specification	4	5	6	7	8	9	10	11	12	13	14
4	<Front dimensions> 48 x 48mm	4										
5	<Input signal> Thermocouple, Resistance bulb Pt100 [°C] Thermocouple, Resistance bulb Pt100 [°F]		T	R								
6	<Control output 1> Relay contact output SSR/SSC drive output			A	C							
7	-					Y						
8	<Revision code>						1					
9	<Alarm output> Alarm (1 pc.) Alarm (2 pcs.)							1				
10	<Instruction manual> Japanese/English/Chinese								2			
												Y

Scope of delivery

Controller 1unit watertight packing 1psc
Panel mounting bracket 1set Instruction manual 1copy

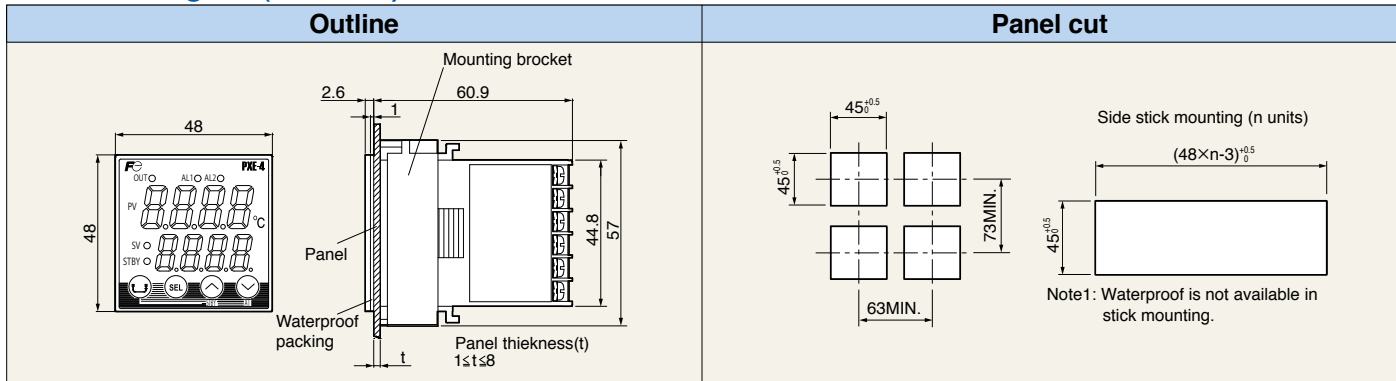
Items to be sold separately

- Terminal cover : Type (ZZPPXR1-A230)
- PC loader communication cable (TQ401838P1) (under development)

Input signal, measurement range, and set value at the time of deliver are as follows.

Thermocouple K, Measurement range; 0 to 400°C, Set value; 0°C
Input signal of the thermocouple and the resistance bulb can be switched by key operation on the front panel.

Outline diagram (Unit: mm)



Specifications

Input signal	Thermocouple: J, K, R, B, S, T, E, N, PLII Resistance bulb: Pt100
Control output	Relay contact: (SPST) or SSR / SSC drive (voltage pulse)
Indication accuracy (at 23°C)	<ul style="list-style-type: none"> • (±0.5% of process value or 1°C whichever is greater ±1digit±1°C • Thermocouple -100°C or less : (±2% of process value) 1digit±1°C • Accuracy assurance is not ensured within a range from 0 to 500°C for R type thermocouple and from 0 to 400°C for B type thermocouple
Control parameter	Proportional band (P): 0.1 to 999.9% Integral time (I): 0 to 3200 sec (I = 0 I action cut) Differential time (D): 0 to 999.9 sec Control cycle: 200ms
Control action	ON/OFF control, PID control/ Fuzzy control (with PID auto-tuning)
Display section	Process value (PV) display: 7-segment, 4digits (Red LED) Setting value (SV) display: 7-segment, 4digits (Green LED) Status display : 6 indicator lamps
Setting section	Sheet key type (with emboss), 4keys

PC loader communication	PC (USB) ↔ Temperature controller (under development)
Alarm output	Output: 1point or 2 points(option) Relay contact output: SPST contact Alarm kind: Absolute alarm, deviation alarm, zone alarm with upper and lower limits for each, main unit malfunction
Power supply	100V to 240V AC, 50/60 Hz
Power consumption	100V AC: 5VA 220V AC: 6VA
Input impedance	Thermocouple: 1 MΩ or more
Allowable signal source resistance	Resistance bulb: 10Ω or less per wire
Input value correction	±10% of measuring range
Input filter	0 to 120.0 sec (primary lag filter)
Mounting method	Panel flush mounting
External connection terminal	M3 screw terminal
Dimensions	48x48x63.5mm
Weight	Approx. 100 g
Ambient operating temperature	-10°C to 50°C

Fuji Electric Co., Ltd.

International Sales Div.

Sales Group

Gate City Ohsaki, East Tower, 11-2, Osaki 1-chome, Shinagawa-ku, Tokyo 141-0032, Japan

http://www.fujielectric.com

Phone: 81-3-5435-7280, 7281 Fax: 81-3-5435-7425

http://www.fujielectric.com/products/instruments/