

FEATURES

- Rectangle windows technice with soft tint.
- Wide range power supply and low power consumption.
- Antimagnetic, aseismatic, intuitionistic, striking device.
- Embedded structure meter so that can be installed easily .
- Power supply can choose from 5VDC,12VDC,24VDC and 86-264VAC.



Connector type : A



Connector type : B

DESCRIPTIONS

- Input Mode: Current, Voltage, Rheostat
- Max. Input Over Capability: 2× Input value
- Input Resistance Via For Volt Meter: > 500KΩ
- Resistance Via For Current Meter: < 50Ω
- Measuring Accuracy :
 1. Current, Voltage ±0. 5% F. S. ± 1Segment
 2. Rheostat ±1. 0% F.S. ± 1 Segment
- Effective Beam Number : 51 Segments

• Segment pitch : 1. 5mm

• Bargraph Width : 5.0 mm

• Zero and Full Adjust Ratio : ± 10~20%

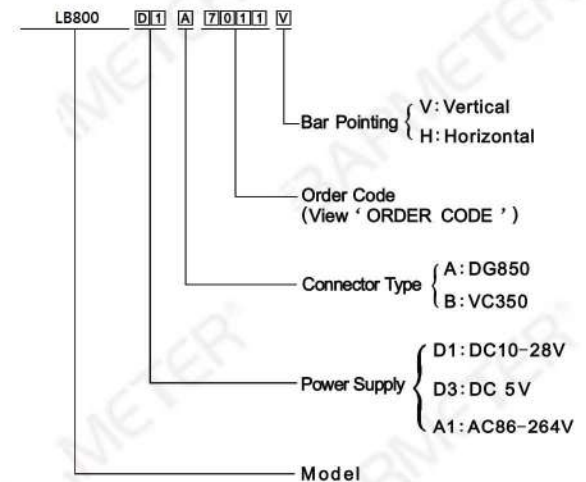
• Power Supply and Range :
DC10~28V
DC5V ± 10%
AC86-264V

• Power Consumption : ≤ 0. 4 W(F.S.)

• Environment : -30~70℃ & <85%RH

• Insulating Intension : DC1000V 1min

MODEL AND ORDERING CODE



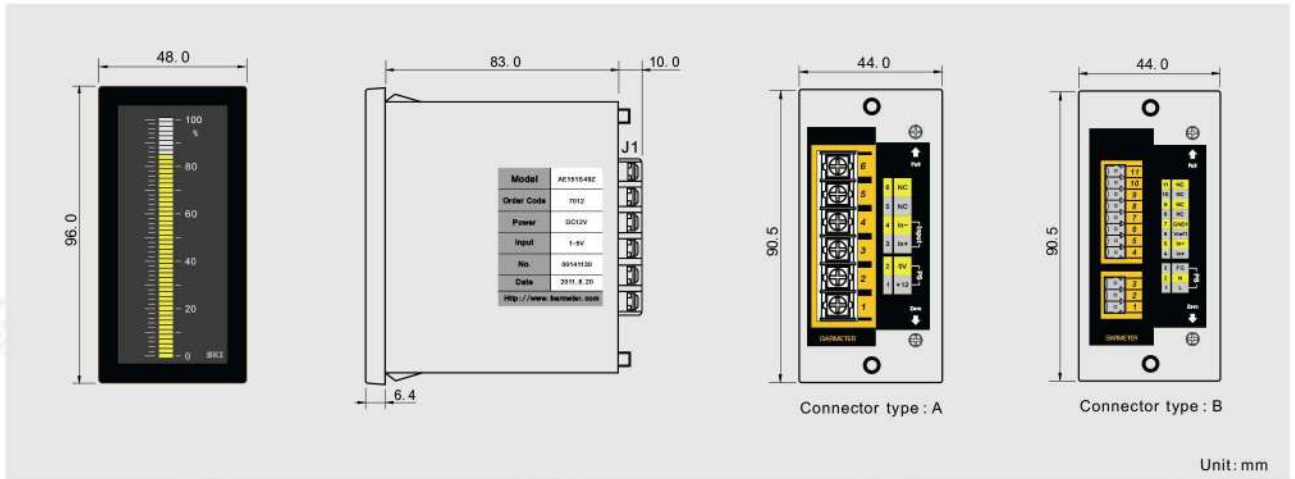
ORDER CODE

Bar color	0~5V	1~5V	0~10mA	4~20mA	0~10V	Rheostat
Red	7011	7012	7013	7014	7015	7016
Green	7021	7022	7023	7024	7025	7026
Yellow	7031	7032	7033	7034	7035	7036
R(G)*	7041	7042	7043	7044	7045	7046
G(R)*	7051	7052	7053	7054	7055	7056

* Contiguous 9 red segments and 1 green segment cling together

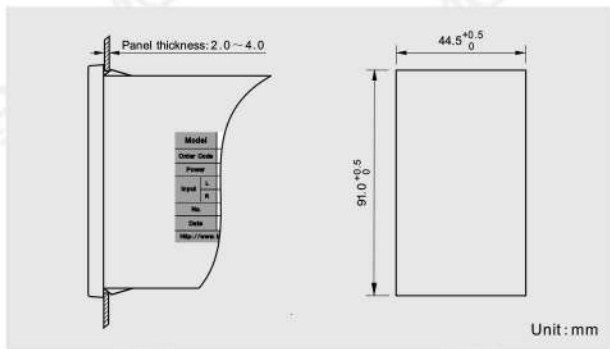
* Contiguous 9 green segments and 1 red segment cling together

■ DIMENSION



Unit: mm

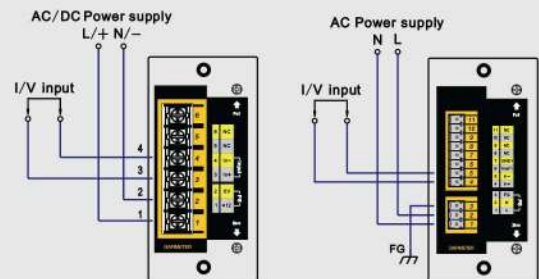
PANEL CUTOUT



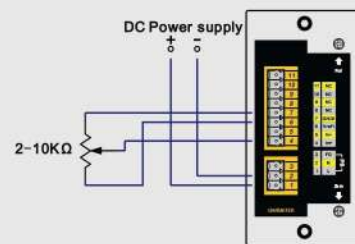
Unit: mm

■ THE APPLICATION OF SIGNAL INPUT

- The application of voltage and current input



- The application of rheostat input



■ CONNECTION DIAGRAM

Type A

No.	Symbol	I/O	Definition
1	PS+ / L	I	DC Power Positive or AC Power L
2	PS- / N	I	DC Power Negative or AC Power N
3	LIN(+)	I	Left Input High
4	LIN(-)	I	Left Input Low
5	RIN(+)	I	Right Input High
6	RIN(-)	I	Right Input Low

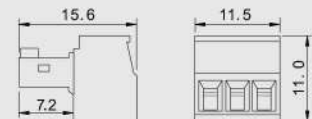
Type B

No.	Symbol	I/O	Definition
1	PS+ / L	I	DC Power Positive or AC Power L
2	PS- / N	I	DC Power Negative or AC Power N
3	FG	I	Ground
4	LIN(+)	I	Left Input High
5	LIN(-)	I	Left Input Low
6	Vref1	O	Left Vref Output
7	GND1	O	Left Internal Ground
8	RIN(+)	I	Right Input High
9	RIN(-)	I	Right Input Low
10	Vref2	O	Right Vref Output
11	GND2	O	Right Internal Ground

■ ACCESSORY

- CONNECTOR (When the connector choose type B)

K350-3



K350-8



Unit: mm