

兩線式交流電流感測轉換器

型式： PCT-

CE

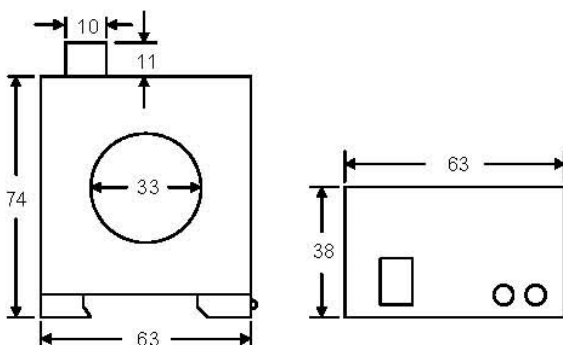


輸入電流		各電流值指撥位置											
輸入電流		1	2	3	4	5	6	7	8	9	10	11	12
A	AC 0 ~ 5A (2匝)												
B	AC 0 ~ 10A	OFF	OFF	OFF	OFF	OFF	OFF	OFF	OFF	OFF	OFF	OFF	OFF
C	AC 0 ~ 15A	OFF	OFF	OFF	OFF	OFF	OFF	OFF	OFF	OFF	OFF	OFF	OFF
D	AC 0 ~ 20A	ON											
E	AC 0 ~ 30A	ON	ON										
F	AC 0 ~ 40A	ON	ON	ON									
G	AC 0 ~ 50A	ON	ON	ON	ON								
H	AC 0 ~ 75A	ON	ON	ON	ON	ON							
I	AC 0 ~ 100A	ON	ON	ON	ON	ON	ON						
J	AC 0 ~ 150A	ON	ON	ON	ON	ON	ON	ON					
K	AC 0 ~ 200A	ON	ON	ON	ON	ON	ON	ON	ON				
L	AC 0 ~ 250A	ON	ON	ON	ON	ON	ON	ON	ON	ON			
M	AC 0 ~ 300A	ON	ON	ON	ON	ON	ON	ON	ON	ON	ON		
N	AC 0 ~ 400A	ON	ON	ON	ON	ON	ON	ON	ON	ON	ON	ON	
Y	other	ON	ON	ON	ON	ON	ON	ON	ON	ON	ON	ON	ON

規 範

- 輸出信號：DC 4~20mA 2Wires.
- 外加電壓：DC 9~36V (2Wire System)
- 精確度：±0.5% RO
- 使用範圍：≤600A
- 輸入頻率：10~400Hz.
- 輸入阻抗：760Ω (Supply DC 24V)
- 隔離能力：2.6KV/Min (Input / Output / Case)
- 衝擊波：5KV (Insulated Cable)
- 絕緣電阻：≥100MΩ/DC 500V
- 溫度係數：≤0.01% FS/°C (100PPM)
- 反應速度：≤400ms.
- 長期穩定性：≤0.1%/年
- 調整範圍：≥±5% (Zero and Span)
- 適用環境：-10°C ~ +65°C 20 ~ 95% RH 不結露.
- 存放條件：-20°C ~ +75°C 20 ~ 95% RH 不結露.
- 外殼材質：不助燃性之ABS射出成型-符合 UL 94 CLASS V - O.
- 固定方式：軌道固定式.

外型尺寸(mm)



接線圖

