

溫度/濕度信號傳送/警報控制器

(TEMPERATURE & HUMIDITY SIGNAL TRANSMITTER & CONTROLLER METER RELAY)

MODEL
THM



■特點(FEATURES)

- 精確度±0.5%(溫度),± %RH(濕度)(Accuracy±0. %°C(Temperature),± %RH(Humidity))
- 測量範圍0~+ 0°C(溫度),0~100%RH(濕度)
(Measuring 0~+ 0°C(Temperature),0~100%RH(Humidity))
- 超快速反應速度20秒內(0~90%在空氣流速>1M/s)
(Response time within 20 second (0~90% at 1M/s air flow))
- 兩組12BIT類比輸出功能(Two 12bit DAC analog output function)(option)
- 兩組警報控制功能(Two alarm controller function)(option)
- 數位RS-485界面(Digit RS-485 interface function)(option)
- 防護等級NEMA 4/IP65(Protection class NEMA 4/IP65)

1. MODEL: THM-□□□□

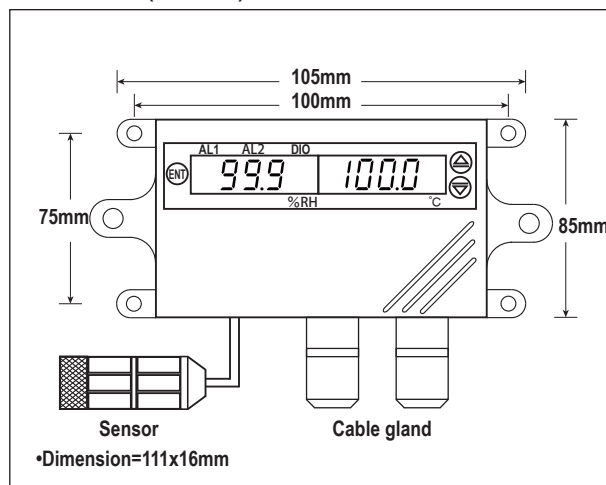
(選購型號)

NO	Alarm output	NO	Analog output	NO	RS-485	NO	Output cable length
0	None	N	None	N	None	A	1M standard
2	Two(Relay)	1	DC4~20mAx2	Y	RS-485	B	Customer
3	Two(Tr.NPN)	2	DC0~10Vx2		•Modbus mode		•3 cond.+shield #28AWG,PVC
		9	SPECIFIED		•256 nodes on bus		•MAX.8M

2. SPECIFICATION (主要規格)

- Measuring accuracy (精確度) (23±5°C) : ± %RH(10~ 0%RH)(Humidity) ±
- Supply voltage (輔助電源) : DC24V±10%(<2.2VA)
- Readout (compare) range (顯示值(比較值)範圍) : 0.0~99.9/100RH%(Humidity) -40.0~120.0°C(Temperature)
- Relay output mode (繼電器輸出模式) : HI or Lo adjustable
- Relay contact output (繼電器容量) : AC250V-2.5A, DC30V-5A
- Transistor output type (電晶體輸出型式) : Photo couple of open-collector (Max.DC30V/40mA)
- Analog output resolution (類比輸出解析度) : 12 bit DAC
- Output drive capability (輸出負載能力) : <10mA for voltage mode <10V for current mode
- Response time (輸出反應時間) : 20 second (0~90% at 1M/s air flow)
- RS-485 address (通訊位址) : "00"~"FF" (0~255)
- RS-485 baud rate (傳輸速度) : 19200/9600/4800/2400 selective
- RS-485 protocol (通信協議) : Modbus RTU mode
- Repeatability (重複性) : ±0.04%RH(Humidity) ±0.08°C(Temperature)
- Long-term drift (長時間穩定度) : ±0.2%RH/Year(Humidity) ±0.03°C/Year(Temperature)
- Display (顯示幕) : Red high efficiency LEDs high 8.0mm(0.32")
- Parameter setting (參數設定方式) : Touch switches
- Memory mode (記憶型式) : Non-volatile E²PROM memory
- Dielectric strength (絕緣耐壓能力) : 1KVac/1 min.(power/RS-485/output)
- Storage temperature (存放環境溫度) : -20~80°C (10 to 90% RH non-condensed)
- Case materials (外殼材料) : PE(Filter) ABS(IP65 main box) NYLON fire rating 94V-2(cable gland)
- Construction (安裝方式) : 3-4mm screw fixingx2
- CE EMC Certification (CE 認證) : EN 55022:1998/A1:2000 Class A
EN 61000-3-2:2000
EN 61000-3-3:1995/A1:2001
EN55024:1998/A1:2001

3. DIMENSION (unit:mm) (外型尺寸)



4. TERMINAL CONNECTION (接線圖)

