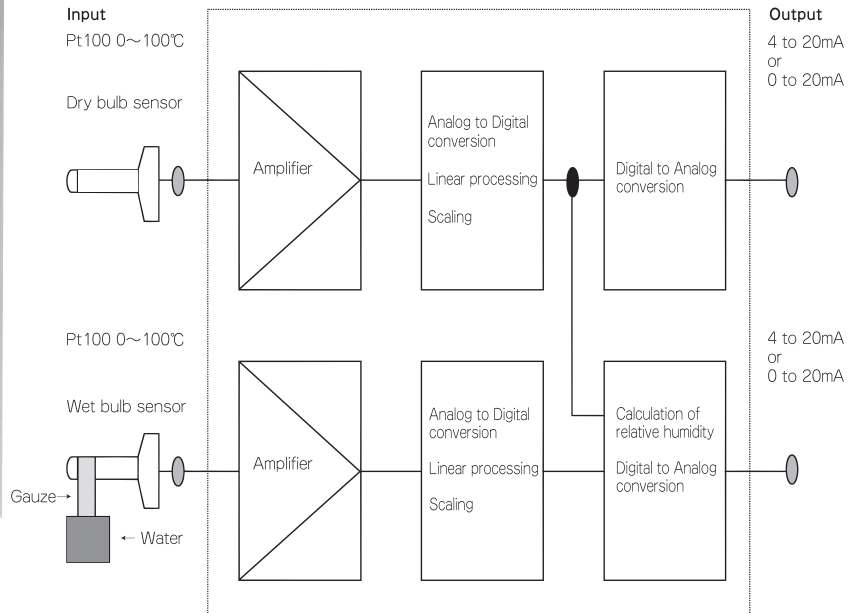


Temperature/Humidity Transmitter



THT-400



Relative humidity transmitter using dry and wet bulb sensor

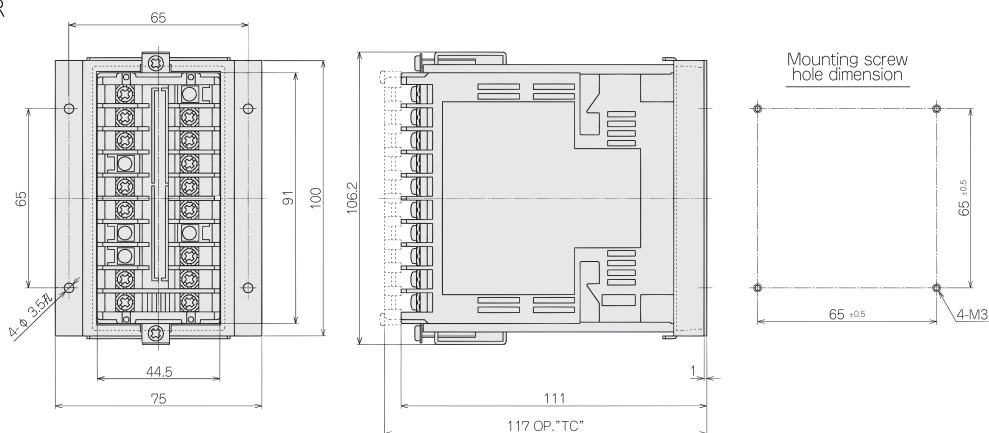
Standard specifications

Model name	THT-400-A/R
Input	Wet bulb input: RTD, Pt100 3-wire system, 0 to 100°C (allowable input lead wire resistance: 10 Ω or less per wire) Dry bulb input : RTD, Pt100 3-wire system, 0 to 100°C (allowable input lead wire resistance: 10 Ω or less per wire) : RTD, Pt100 3-wire system, 0 to 200°C (allowable input lead wire resistance: 10 Ω or less per wire)
Output	Temperature output: Outputs below corresponding to the dry bulb input temperature of 0 to 100°C or 0 to 200°C. 0 to 20mA DC or 4 to 20mA DC, Load resistance maximum 550 Ω Humidity output : Outputs below corresponding to the relative humidity 0 to 100%RH by using dry bulb input temperature 0 to 100°C and wet bulb input temperature 0 to 100°C. 0 to 20mA DC or 4 to 20mA DC, Load resistance maximum 550 Ω
Conversion accuracy	Temperature output: Within converted temperature ±1.0°C Humidity output : Within ±3% of full scale
Input sampling period	0.5 seconds
Output resolution	1/8000
Supply voltage	100 to 240V AC, 50/60Hz 24V AC/DC 50/60Hz
Power consumption	Approx. 5VA
Environment	Ambient temperature: 0 to 50°C Ambient humidity: 35 to 85%RH (non-condensing)
Case Material·Color	Flame resistant resin Color: Light gray
External dimensions	75 x 106.2 x 111mm (W x H x D)
Mounting method	Mounting by the frame with screws inside the control panel (3mm screw for 4 positions) Mounting angle: Nickel plated steel sheet (SPCC)
Weight	Approx. 200g
Option [TC]	Electric shock protection terminal cover

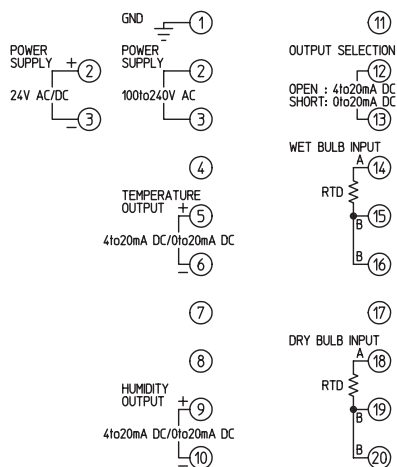
Shinko

External dimensions (Unit : mm)

THT-400-A/R



Terminal arrangement



- GND** : Ground terminals
- POWER SUPPLY** : 100 to 240V AC, 24V AC/DC
- TEMPERATURE OUTPUT** : 4 to 20mA DC or 0 to 20mA DC
- HUMIDITY OUTPUT** : 4 to 20mA DC or 0 to 20mA DC
- OUTPUT SELECTION** : 4 to 20mA DC or 0 to 20mA DC
- WET BULB INPUT (RTD)**
- DRY BULB INPUT (RTD)**

Configuration example



The picture on the left shows an example of a combined Shinko JIR-301-M indicator, THT-400-A/R transmitter and Pt100. Be sure to use an Assmann type psychrometer sensor (Pt100). The sensors in the picture are an example. They are not for sale. Any indicators, controllers or recorders which have an input of 0 to 20mA DC or 4 to 20mA DC can be used as a receiving instrument.

SAFETY PRECAUTIONS

- To ensure safe and correct use, thoroughly read and understand the manual before using this instrument.
- This instrument is intended to be used for industrial machinery, machine tools and measuring equipment. Verify correct usage after consulting purpose of use with our agency or main office. (Never use this instrument for medical purposes with which human lives are involved.)
- External protection devices such as protection equipment against excessive temperature rise, etc. must be installed, as malfunction of this product could result in serious damage to the system or injury to personnel. Also proper periodic maintenance is required.
- This instrument must be used under the conditions and environment described in the manual. Shinko Technos Co., Ltd. does not accept liability for any injury, loss of life or damage occurring due to the instrument being used under conditions not otherwise stated in the manual.

Caution with respect to Export Trade Control Ordinance

To avoid this instrument from being used as a component in, or as being utilized in the manufacture of weapons of mass destruction (i.e. military applications, military equipment, etc.), please investigate the end users and the final use of this instrument. In the case of resale, ensure that this instrument is not illegally exported.



· This catalog is as of November 2005. Specifications and external appearance are subject to change without prior notice.
 · If you have any inquiries, please consult our agency or with us directly.

SHINKO TECHNOS CO., LTD. OVERSEAS DIVISION

Reg. Office : 2-5-1, Senbahigashi, Minoo, Osaka, 562-0035, Japan
 Tel : 81 - 72 - 727 - 6100
 Fax : 81 - 72 - 727 - 7006
 URL : <http://www.shinko-technos.co.jp>
 E-mail : overseas@shinko-technos.co.jp