

TWRS-00 0-20mA To RS485 Converter

Specification:

Power supply voltage: 5-30VDC

Current consumption: <21mA (12VDC power supply)

Input signal: DC current signal

Current sampling impedance: high precision of 10Ω (0 ~ 20mA), generally 120Ω (0 ~ 20mA)

Output: RS485 communication MODBUS-RTU protocol.

Standard accuracy: ± 0.2% F.S,

Temperature drift: ± 0.015% /°C

Response time: <0.03s (10 ~ 90%)

Stable time: ≤0.5s

Power variation effect: <± 0.1% (allowable voltage range)

Communication distance: 1200m

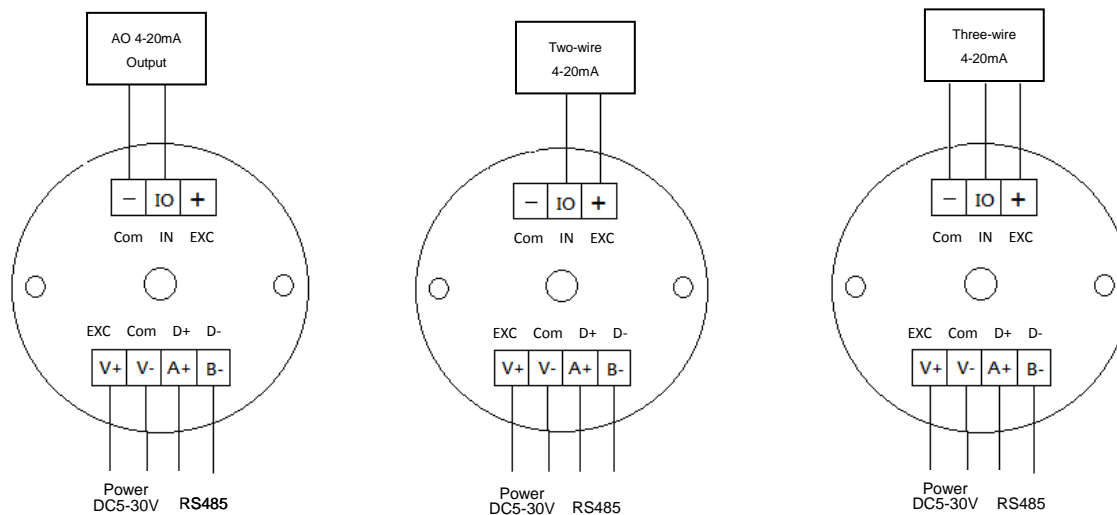
Communication format: 9600 (variable), 8, n, 1

Working temperature: -20 ~ 50°C

Storage ambient temperature: -30 ~ 60°C

Dimensions: 45 (diameter) * 20mm (high)

Connection Diagram



Default communication format : ID=1 , 9600 , 8 N 1

Address	Name	Description	Accept
40001	Measure value	0-20000	R
40002	ID	1-254	R/W
40004	BAUD	3=2400,4=4800,5=9600,6=19200,7=38400,10=57600,11=115200	R/W