

DC SIGNAL ISOLATED TRANSMITTER

MODEL
TD



(FEATURES)

- Accuracy 0.1% F.S.
- Wide selection of input/output range
- Dielectric strength 2KVac/1 min.(input/output)
- Wide input range for auxiliary power
- Dimension small & High stability

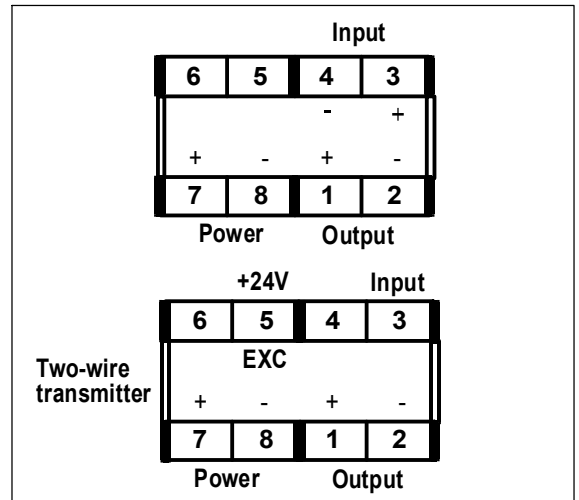
1.MODEL:TD-() () () ()

NO	Input Range	NO	Input Range	NO	Input Range	NO	Input Range	NO	Output Range	NO	Output Range	NO	Aux. Power
10	0-10mV	15	0-10V	20	0-1mA	25	# 4-20mA	A	0-50mV	F	0-1mA	A	AC/DC 18-60V
11	0-50mV	16	2-10V	21	0-10mA	29	SPECIFIED	B	0-1V	G	0-10mA	B	AC/DC 90-260V
12	0-1V	17	-10-+10V	22	0-20mA	# Exciting DC24V (<25mA) (two-wire transmitter)		C	1-5V	H	0-20mA	# Less 3VA for AC/DC input	
13	0-5V	18	0-100V	23	4-20mA			D	0-10V	I	4-20mA		
14	1-5V	19	0-200V	24	10-50mA			E	2-10V	R	SPECIFIED		

2.SPECIFICATION

- #Measuring accuracy : 0.1% F.S. (23±.5°C)
- #Input resistance : >100Mohm (<2V range)
>1M ohm (>2V range)
<10 ohm (current input)
- #Maximum input : <300Vrms (>2V ranges)
<150Vrms (<2V ranges)
<150mA (current ranges)
- #Response time : <250ms (0-90%)
- #Output drive capability : <10mA for voltage mode
<10V for current mode
- #Output ripple(p-p) : <0.1% F.S.
- #Zero (offset) range : 0-±.5% F.S.
- #Span (scale) range : 0-±.10% F.S.
- #Temp. coefficient : 100ppm/°C(0-50°C)
- #Isolation : Input/Output/Power/Case
- #Insulation Resistance : >100M ohm with 500V DC
- #Dielectric strength : 2KVac/1 min. (input/output/power)
1600Vdc (input/output)
- #Operating condition : 0-50°C(20 to 90% RH non-condensed)
- #Storage condition : 0-70°C(20 to 90% RH non-condensed)
- #Construction : Socket/plugin type with barrier terminals

3.Terminal conection



4.Dimension(unit:mm)

