

LOAD-CELL ISOLATED TRANSMITTER

MODEL
TL



(FEATURES)

- Accuracy 0.1% F.S.
- Wide selection of input/output range
- Dielectric strength 2KVac/1 min.(input/output)
- Wide input range for auxiliary power
- Dimension small and High stability

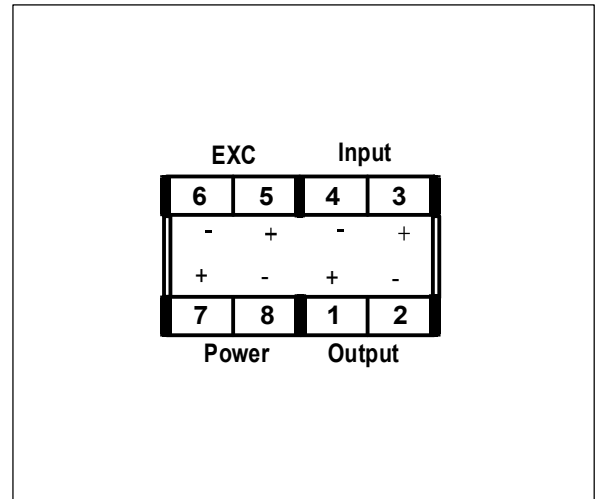
1:MODEL:TL-() () () ()

NO	Input Range	NO	Input Range	NO	Exciting Voltage	NO	Output Range	NO	Output Range	NO	Output Range	NO	Aux. Power
1	1mV/V	5	5mV/V	A	5V(<120mA)	A	0-50mV	E	2-10V	I	4-20mA	A	AC/DC 18-60V
2	1.5mV/V	9	SPECIFIED	B	10V(<60mA)	B	0-1V	F	0-1mA	R	SPECIFIED	B	AC/DC 90-260V
3	2mV/V			C	12V(<50mA)	C	1-5V	G	0-10mA				# Less 3VA for AC/DC input
4	3mV/V			R	SPECIFIED	D	0-10V	H	0-20mA				

2:SPECIFICATION

- # Measuring accuracy : 0.1% F.S. (23±5°C)
- # Exciting voltage : 5 V±.3%(<120mA)
10V±.3%(<60mA)
12V±.3%(50mA)
- # Response time : <250ms (0-90%)
- # Output drive capability : <10mA for voltage mode
<10V for current mode
- # Output ripple(p-p) : <0.1% F.S.
- # Zero (offset) range : 0→±.5% F.S.
- # Span (scale) range : 0→±.10% F.S.
- # Temp. coefficient : 100ppm/°C(0-50°C)
- # Isolation : Input/Output/Power/Case
- # Insulation Resistance : >100M ohm with 500V DC
- # Dielectric strength : 2KVac/1 min. (input/output/power)
1600Vdc (input/output)
- # Operating condition : 0-50°C(20 to 90% RH non-condensed)
- # Storage condition : 0-70°C(20 to 90% RH non-condensed)
- # Construction : Socket/plugin type with barrier terminals

3.Terminal conection



4.Dimension(unit:mm)

