

Three-Phase Solid State Relays

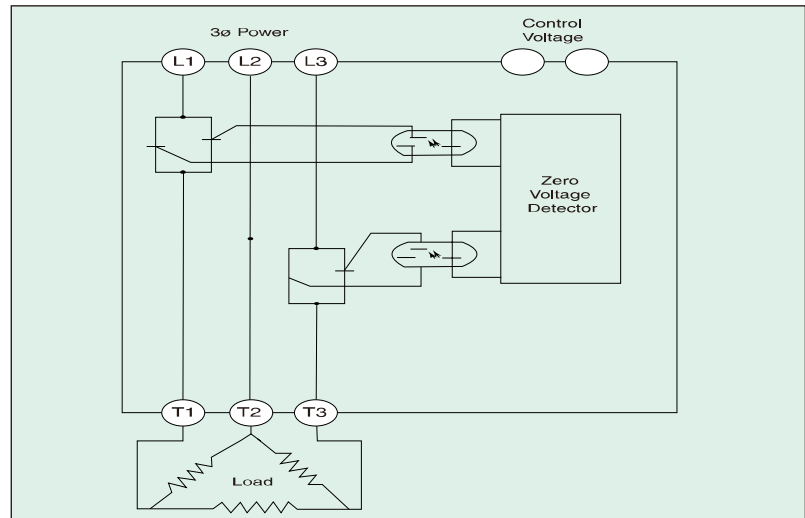
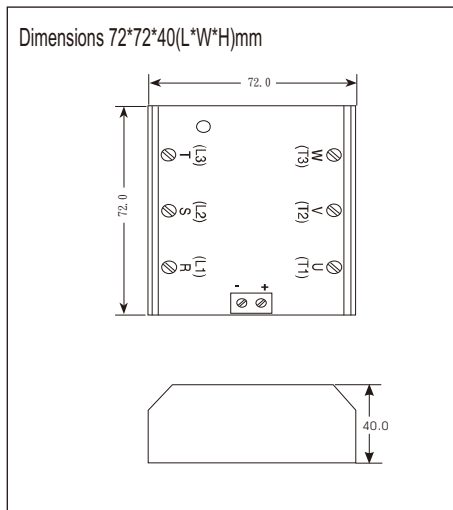
15,25,30,40,50 Amp, 250/480 Vac

Specifications

1. Integrated Heat Sink
2. Mounts on DIN Rail or Panel
3. Optically Isolated
4. Safe to the Touch
5. 1200 Volt Blocking Voltage
6. Zero Voltage Turn-On
7. 4000 Volt Isolation
8. Built-In Snubber
9. LED Indicator



WIN POWER SRS Series three-phase Solid State Relay is a fully integrated device with heat sink and DIN rail mounting plate in a space-saving design. Each unit is touch safe with LED input indication. This normally open, zero crossing device is capable of millions of cycles of operation. Dual SCR provide a high level of reliability, capable of handling higher over loads than triacs. This 3-phase Solid State Relay is designed for switching power to 3-phased asynchronous motors and to resistive loads.



DC Control Specifications

Model Number	Link Voltage Range(Vac)	Load Current Range (Arms)	Min Control Voltage & Current Draw	Max Control Voltage & Current Draw	Release Voltage (Vdc)	Dimension (mm)
SRS2015L-72(D)	80 to 250	0.6 to 15	3Vdc/10mA	32Vdc/15mA	3Vdc	72x105x125 / 600g
SRS2025L-72(D)	80 to 250	0.6 to 25	3Vdc/10mA	32Vdc/15mA	3Vdc	72x105x125 / 600g
SRS2040L-72(D)	80 to 250	0.6 to 40	3Vdc/10mA	32Vdc/15mA	3Vdc	72x105x125 / 600g
SRS2050L-110(D)	80 to 250	0.6 to 55	4Vdc/10mA	32Vdc/15mA	3Vdc	110x105x125 / 750g
SRS2015H-72(D)	80 to 480	0.6 to 65	3Vdc/10mA	32Vdc/15mA	3Vdc	72x105x125 / 600g
SRS2030H-72(D)	80 to 480	0.6 to 30	4Vdc/10mA	32Vdc/15mA	4Vdc	72x105x125 / 600g
SRS2050H-110(D)	80 to 480	0.6 to 50	4Vdc/10mA	32Vdc/15mA	4Vdc	110x105x125 / 750g

Note: Model have (D)= DIN Rail Mount