

轉子式流量計用各式安裝座

(FITTING FOR PADDLEWHEEL FLOW SENSOR)

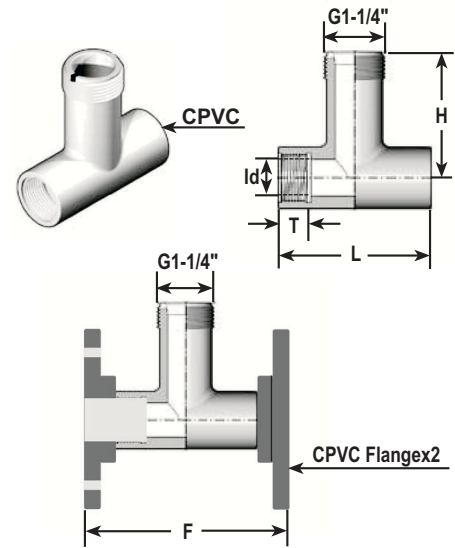
■ 三通安裝座 [CPVC TEE FITTING (SCH80)]

MODEL:SLTF -

(選購型號)

NO	Type	NO	Size	DN	Id	L	T	H	F	Sensor
A	Tee fitting +ANSI 150PSI Flange	05	1/2"	15	16.5	120	22	79	182	L0
		08	3/4"	20	24	120	25	79	182	L0
J	Tee fitting +JIS 10K PSI Flange	10	1"	25	28	102	29	79	164	L0
		12	1-1/4"	30	35	115.5	32	83		L0
T	Tee fitting	15	1-1/2"	40	43	128	35	83	204	L0
		20	2"	50	54	145.5	38	91.5	221.5	L0
•CPVC tee fitting for ASTM SCH80 pipes		25	2-1/2"	65	65	171	45	98.5	261	L0
•Maximum operating temperature:200°F(93°C)		30	3"	80	80	171	45	110	261	L0
		40	4"	100	100	237.5	57	126	333.5	L0

•Unit:mm



■ 鞍型安裝座 [CPVC+PP CLAMP SADDLES (SCH80)]

MODEL:SLCS -

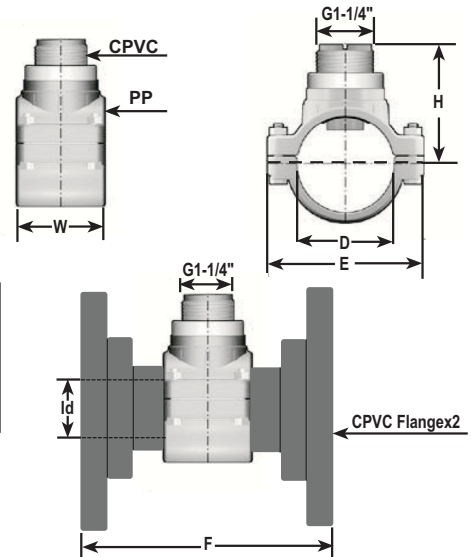
(選購型號)

NO	Type	NO	Size	DN	Id	D	E	W	H	F	Sensor
A	CPVC+PP Clamp Saddles +ANSI 150PSI Flange(CPVC)	20	2"	50	48.59	63	108	79	78	171	L0
		25	2-1/2"	65	58.17	75	117	88	81.5	173	L0
C	CPVC+PP Clamp Saddles	30	3"	80	72.75	90	130	98	90	194	L0
J	CPVC+PP Clamp Saddles +JIS 10K Flange(CPVC)	40	4"	100	96.16	110	158	95	100.5	193	L0
		60	6"	150	145.01	160	215	116	127	214	L1

•Unit:mm

•Note1:SUS304 Bolt and Nut for PP Clamp Saddles

•Note2:SLCS-/CXX(Drilling hole=40mm)



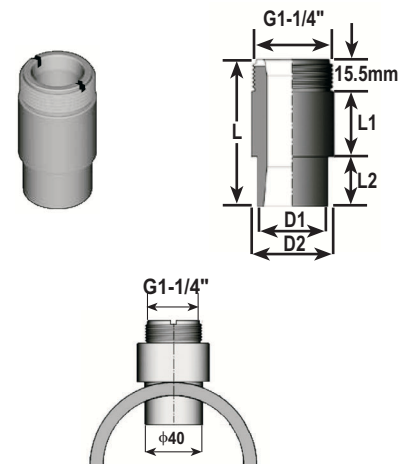
■ CPVC焊接管座 [CPVC GLUE-ON ADAPTERS]

MODEL:SLPG -

(選購型號)

NO	PIPE SIZE(DN)	L	L1	L2	D1	D2	Drilling Hole	Sensor Length
L0	0.5"~4"(15~100)	68.5	43.5	9.5	40	50	40	L0
L1	6"~24"(150~600)	98.5	51	32	40	50	40	L1

•Unit:mm



■ CPVC膠合劑 [CPVC SOLVENT CEMENT]

MODEL:SLC [Unit:1 Pint/case=0.125 Gallon/case(Cement color=Gray)]

(選購型號)

[單位:1 品脫/瓶=0.125 加侖/瓶(膠合顏色為淺灰色)]