

薄型直流信號隔離傳送器

(SLIM TYPE DC SIGNAL ISOLATED TRANSMITTER)

MODEL
STD



特點(FEATURES)

- 精確度0.1%滿刻度 (Accuracy 0.1%F.S.)
- 多種輸入輸出選擇(Wide selection of input/output range)
- 輸入與輸出絕緣耐壓 1.5千伏特/1分鐘(Dielectric strength 1.5KVac/1 min.(input/output))
- 寬範圍交直流兩用電源設計(Wide input range for auxiliary power)
- 尺寸小,穩定性高(Dimension small & High stability)

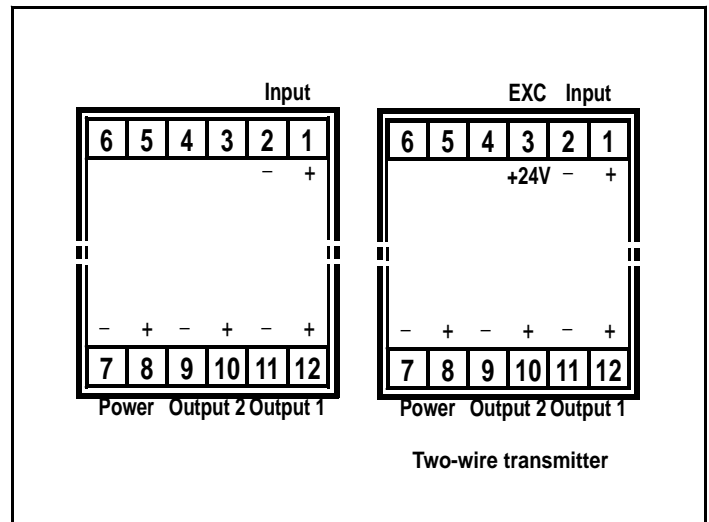
1.MODEL:STD- (選購型號)

NO	Input Range	NO	Input Range	NO	Output 1 Range	NO	Output 2 Range	NO	Aux. Power
1	0~50mV	6	4~20mA	C	1~5V	N	None	A	AC/DC 18~60V
2	0~1V	7	4~20mA	D	0~10V	C	1~5V	B	AC/DC 90~260V
3	0~5V	9	SPECIFIED	F	0~1mA	D	0~10V	Less 4VA for AC/DC input	
4	1~5V	Exciting DC24V(<25mA) (two-wire transmitter)	I	4~20mA	I	4~20mA			
5	0~10V		R	SPECIFIED	R	SPECIFIED			

2.SPICIFICATION (主要規格)

- Measuring accuracy (精確度) : 0.1% F.S. (23 ± 5)
- Input resistance (輸入阻抗) : >100Mohm (<2V range)
>1Mohm (>2V range)
<10 ohm (current input)
- Maximum input (最大過載能力) : <300Vrms (>2V ranges)
<150Vrms (<2V ranges)
<150mA (current ranges)
- Response time (輸出反應時間) : <250ms (0-90%)
- Output drive capability (輸出負載能力) : <10mA for voltage mode
<10V for current mode
- Output ripple(p-p) (輸出漣波) : <0.1% F.S.
- Zero (offset) range (歸零調整範圍) : 0- ± 5% F.S.
- Span (scale) range (最大值調整範圍) : 0- ± 10% F.S.
- Temp. coefficient (溫度係數) : 100ppm/ (0-50)
- Isolation (隔離特性) : Input/Output1/Output2/Power/Case
- Insulation Resistance (絕緣阻抗) : >100Mohm with 500V DC
- Dielectric strength (絕緣耐壓能力) : 1.5KVac/1 min. (input/Output1/Output2/power)
1200Vdc (input/Output1/Output2)
- Operating condition (使用環境條件) : 0-60 (20 to 90% RH non-condensed)
- Storage condition (存放環境條件) : 0-70 (20 to 90% RH non-condensed)
- Construction (安裝方式) : 35mm DIN rail (EN50022)
- CE EMC Certification (CE 認證) : EN 55022:1998/A1:2000 Class A
EN 61000-3-2:2000
EN 61000-3-3:1995/A1:2001
EN 55024:1998/A1:2001

3.TERMINAL CONECTION (接線圖)



4.DIMENSION (unit:mm) (外型尺寸)

